



US00D488270S

(12) **United States Design Patent**
Biere et al.

(10) **Patent No.:** **US D488,270 S**

(45) **Date of Patent:** **** Apr. 6, 2004**

(54) **INTAKE TUBE**

(75) Inventors: **Darin J. Biere**, Webster City, IA (US);
Jason L. Werning, Ellsworth, IA (US)

(73) Assignee: **White Consolidated Industries, Inc.**,
Cleveland, OH (US)

(**) **Term:** **14 Years**

(21) **Appl. No.:** **29/139,197**

(22) **Filed:** **Mar. 27, 2001**

(51) **LOC (7) Cl.** **15-05**

(52) **U.S. Cl.** **D32/31; D32/25**

(58) **Field of Search** D32/15-25, 30-33;
D23/259, 262-264, 393, 394; 15/301, 310,
312.1, 312.2, 313-315, 319, 321, 414;
285/7, 222.1, 286.2, 292.1, 305, 308, 319,
330, 402, 405, 406, 414, 420, 421; 55/DIG. 8;
200/61.6; 439/191, 192, 195

(56) **References Cited**

U.S. PATENT DOCUMENTS

171,964 A	*	1/1876	Syverson	285/181
849,444 A	*	4/1907	Weiser	285/420
1,179,995 A	*	4/1916	Beckwith	126/307 R
1,942,358 A		1/1934	Grathwol		
2,725,113 A	*	11/1955	Fagyas	55/431
3,335,744 A	*	8/1967	Hanford	137/360
4,557,535 A	*	12/1985	Keane	439/13

4,591,368 A		5/1986	MacDuff		
4,938,309 A		7/1990	Emdy		
D349,370 S	*	8/1994	Salo et al.	D32/31
D355,244 S	*	2/1995	Doragrip et al.	D23/262
5,464,460 A	*	11/1995	Bosses	55/374
5,737,797 A		4/1998	Rittmueller et al.		
5,813,085 A		9/1998	Fritz et al.		
6,052,863 A		4/2000	Rittmueller et al.		

* cited by examiner

Primary Examiner—Ted Shooman

Assistant Examiner—C Tuttle

(74) *Attorney, Agent, or Firm*—Pearne & Gordon LLP

(57) **CLAIM**

The ornamental design for an intake tube, as substantially shown and described.

DESCRIPTION

FIG. 1 is a perspective view of an intake tube, embodying our new design;

FIG. 2 is an inverted front elevational view thereof;

FIG. 3 is a right side elevational view of FIG. 2;

FIG. 4 is a top view of FIG. 2;

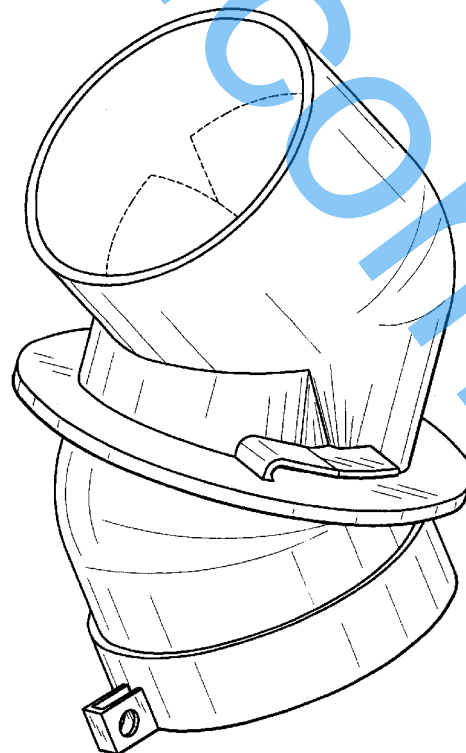
FIG. 5 is a left side elevational view of FIG. 2;

FIG. 6 is a rear elevational view of FIG. 2; and,

FIG. 7 is a bottom view of FIG. 2.

The structures shown in broken lines are for illustrative purposes only; and form no part of the claimed design.

1 Claim, 3 Drawing Sheets



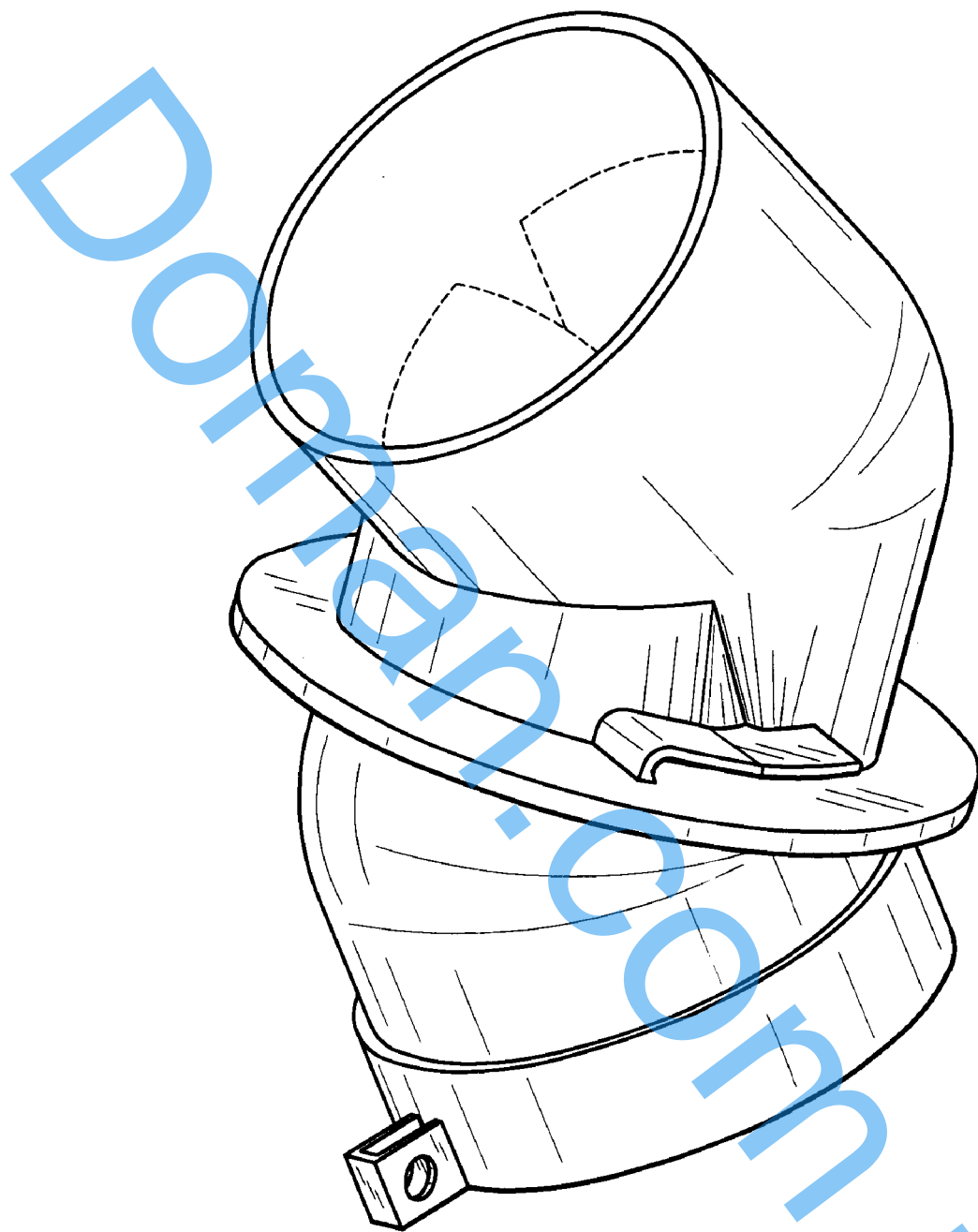


FIG. 1

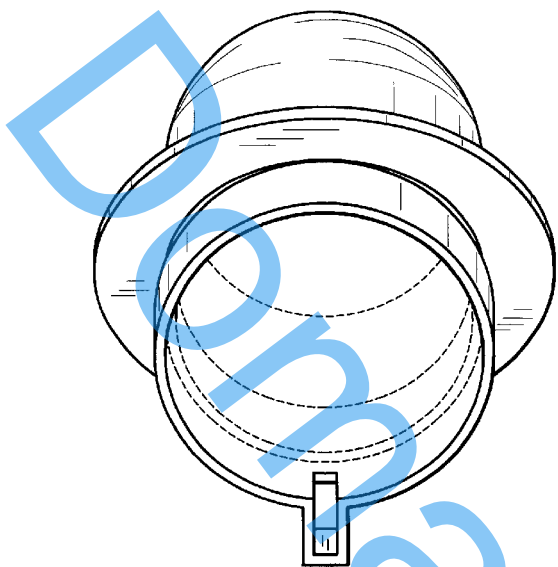


FIG. 4



FIG. 2

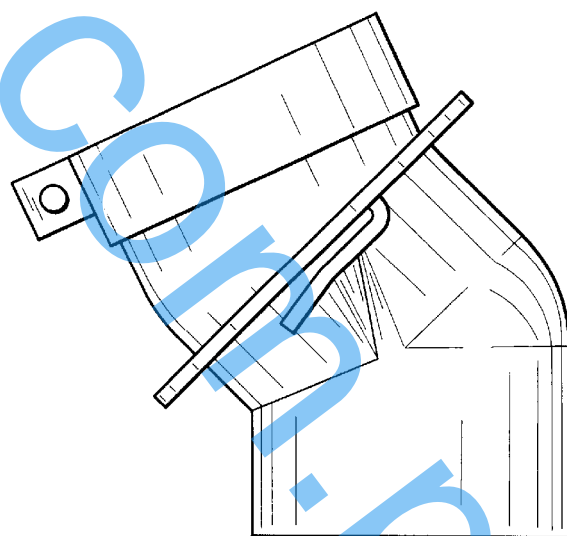


FIG. 3

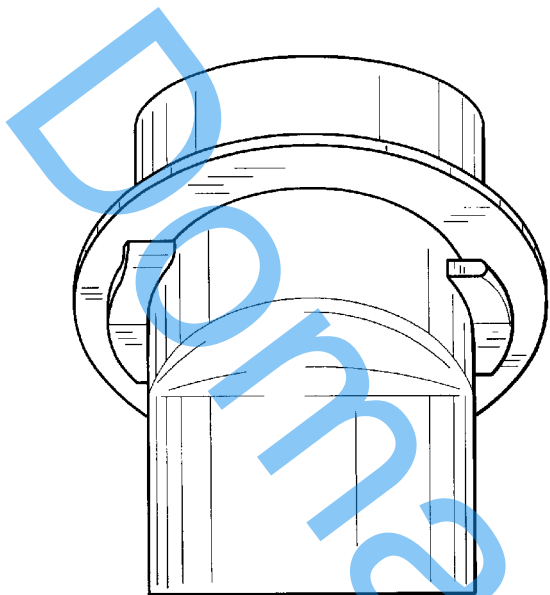


FIG. 6

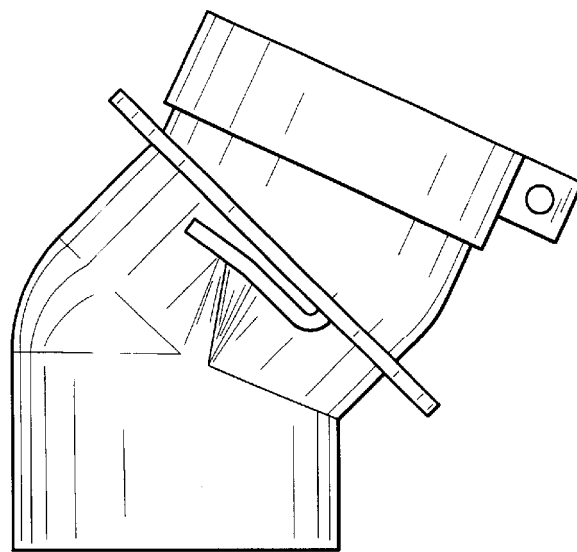


FIG. 5

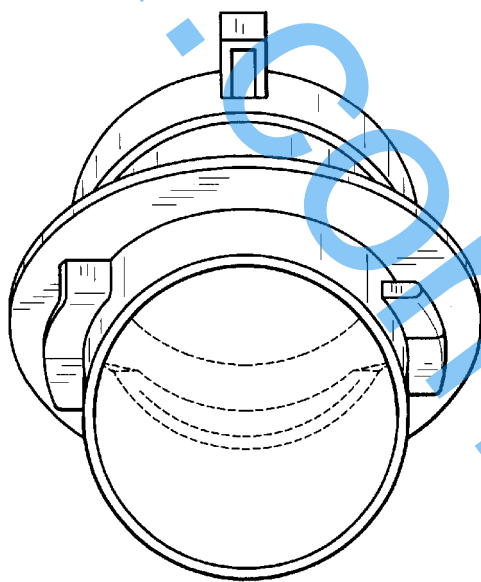


FIG. 7

UNITED STATES PATENT AND TRADEMARK OFFICE
CERTIFICATE OF CORRECTION

PATENT NO. : Des. 488,270 S
DATED : April 6, 2004
INVENTOR(S) : Darin Biere et al.

Page 1 of 1

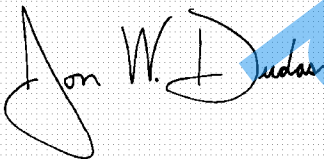
It is certified that error appears in the above-identified patent and that said Letters Patent is hereby corrected as shown below:

Title page.

Item [54], Title, please delete the title and insert therefor -- **INTAKE TUBE FOR CENTRAL VACUUM CLEANER** --.

Signed and Sealed this

Thirty-first Day of August, 2004

A handwritten signature in black ink on a light blue grid background. The signature reads "Jon W. Dudas" in a cursive style.

JON W. DUDAS

Director of the United States Patent and Trademark Office